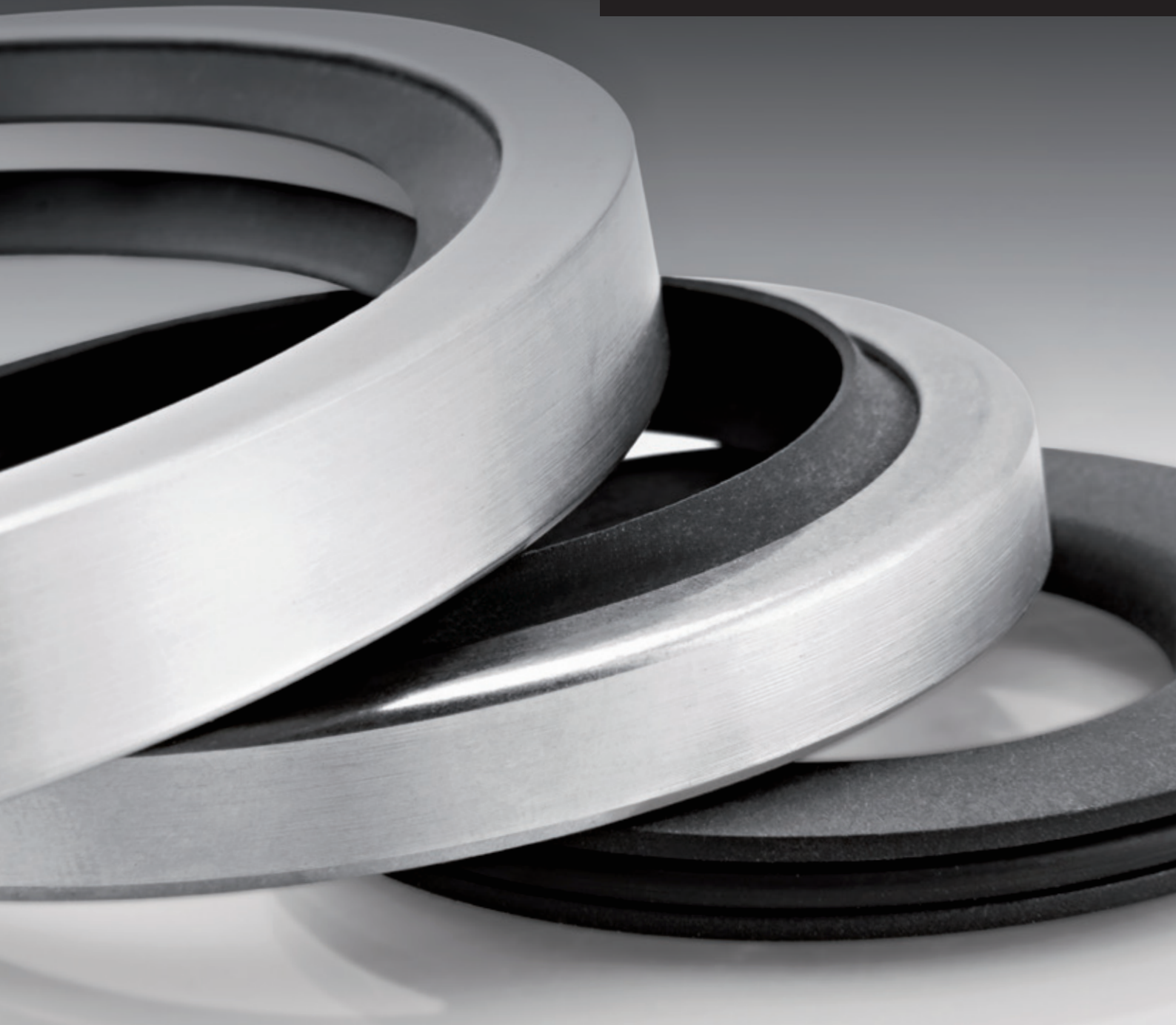


PTFE ROTARY SHAFT SEALS



PTFE ROTARY SHAFT SEALS



FLUORTEN[®]
PTFE & TECHNOPOLYMERS MANUFACTURING



PTFE rotary shaft seals

The radial contact pressure is achieved through a special moulding process of the sealing lip. To avoid internal leakage and for a better internal tightness, Fluorten uses an O-Ring as internal seal. In order to cover the widest possible range of applications, only high-quality materials are used.

BENEFITS

- Outstanding chemical resistance
- Wide temperature range
- Suitable for high peripheral speeds
- Good pressure stability
- Can be used for insufficient lubrication and dry running
- High wearing resistance of the sealing lip
- Low friction and breakaway forces
- High flexibility in the lip design

APPLICATIONS

- Screw compressors
- Rotary compressors
- Pumps
- Blowers
- Centrifuges
- Machine tools

STANDARD DESIGN

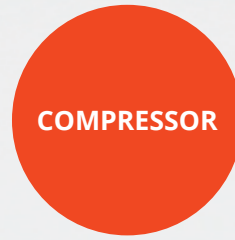
Housing	Aisi 304
O-Ring	FKM
PTFE-lip	F10-65

Customized seals designing and manufacturing in accordance to final applications.

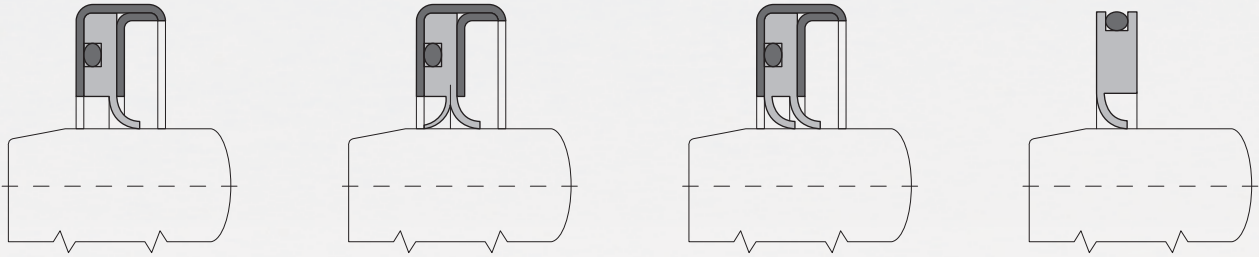
OPERATION LIMITS

Max. peripheral speed	30 m/s
Temperature range	-40 to +220°C
Max. pressure	15 bar

Operation limits based on experience. Values are provided without guarantee. Each application and the permissible operation limits must be assessed separately.



TYPICAL STANDARD DIMENSIONS AND DESIGN



D1 (mm)	10	12	15	20	25	30	35	40	45	50	55	60	65	70	80	90	100
D2 (mm)	22	24	30	35	42	47	47	62	62	72	72	80	85	90	100	110	120
B (mm)	7	7	7	7	7	7	8	8	8	8	8	8	8	10	10	10	12

Other design on request

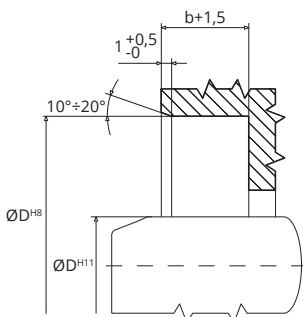
DESIGN AND ASSEMBLY INSTRUCTIONS

SLEEVES AND PTFE LIPS WITH HYDRODYNAMIC RETURN FEED

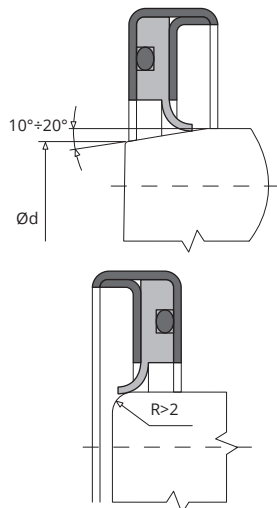
RECOMMENDED ROUGHNESS OF SHAFT

Ra	0,2 – 0,8 µm
Rz	1 – 4 µm

DESIGN OF LOCATION HOLE

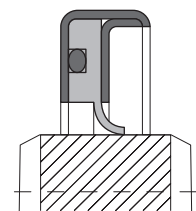


ASSEMBLY INSTRUCTIONS



At higher peripheral speeds and tightness requirements it is recommended a hydrodynamic return feed in the PTFE lip or on the running surface. For this reason we can offer special designed lip seals or running sleeves with a special grinded surface for applications in a variety of dimensions.

Roughness	Rz 2-5 µm
Hardness	> 58 HRC



ADDITIONAL INFORMATION

Don't stretch the internal diameter of the lip more than 0,5 mm during assembly. Please inspect the seal, shaft and assembly tool for possible damages.





*"Give your equipment
a High Performance Heart
through our engineering components"*

Italy

Factory and head office
Via Cercone 34,
24060 Castelli Calepio (BG) Italy

P +39 035 44 25 115
info@fluorten.com

Germany, Switzerland, Austria
Fluorten Sales Office
Im Heiler 8,
71397 Leutenbach - Germany
Mr. Martin Schuster

P +49 7195 590 9267
M +49 151 7005 4012
martin.schuster@fluorten.com

United Kingdom
Sealcore Network Sales Office
Manchester - Great Britain
Mr. Gary Lynch

M +44 7860 667 980
salesuk@sealcore.net

North America
Sealcore LLC Sales Office
41339 Schaden Road
Elyria, OH 44035
State of Ohio Certificate
Nr. 201600400136
Mr. Henrik Zimmer

P +1 440 324 1144
M +1 419 706 1651
hzimmer@sealcore.net

Asia-Pacific
Sealcore Network Sales Office
Shanghai - China
Ms. Helen Song

P +86 137 01977508
china.office@fluorten.com



EN 9100: 2018 - CERTIFICATE N.5695/3



ISO 9001: 2015 - CERTIFICATE N.21



ISO 14001: 2015 - CERTIFICATE N.27

sealcore
network

